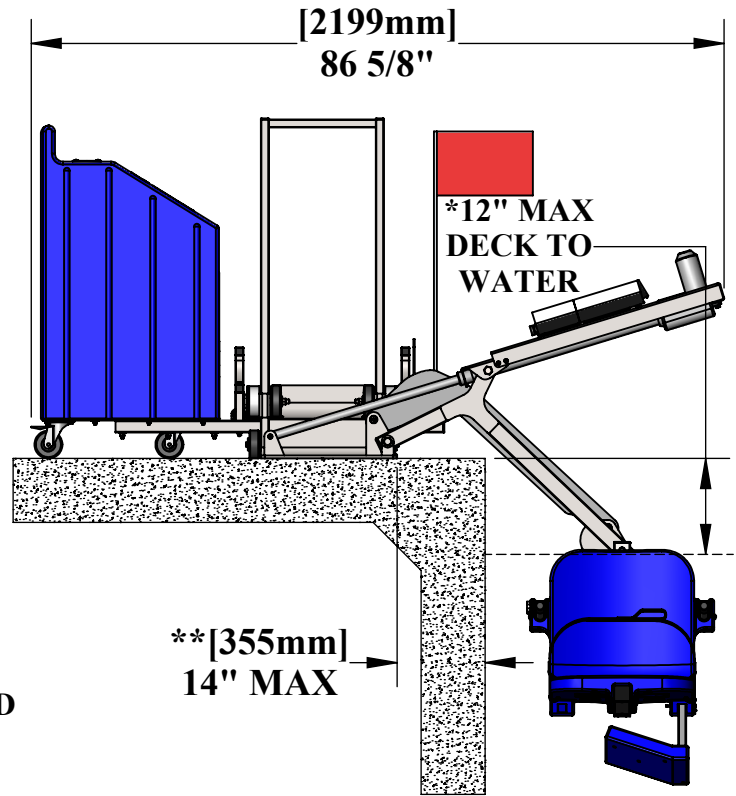
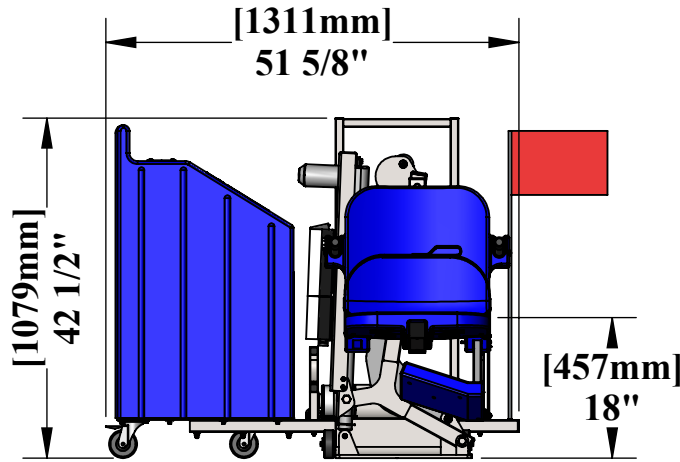


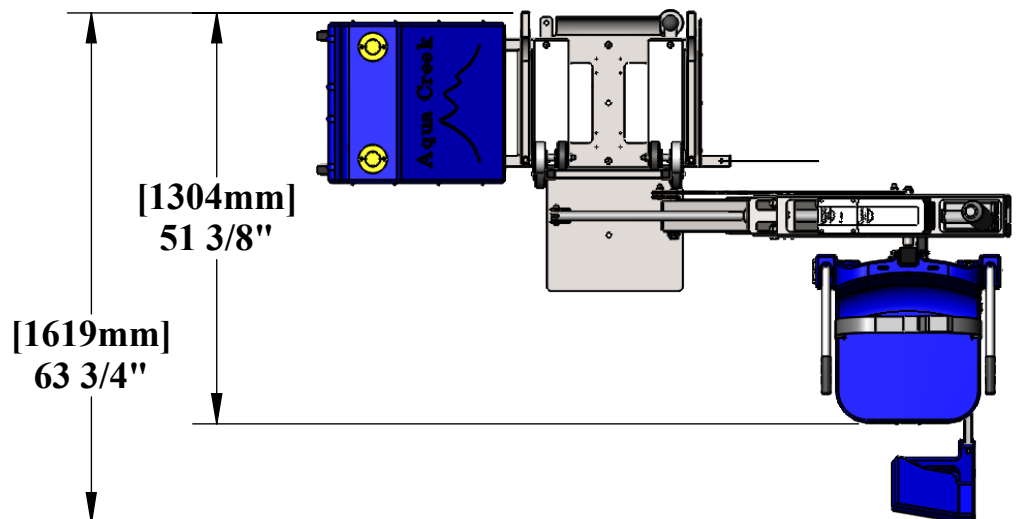
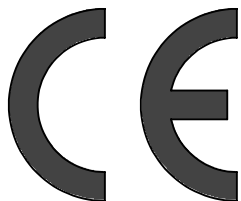
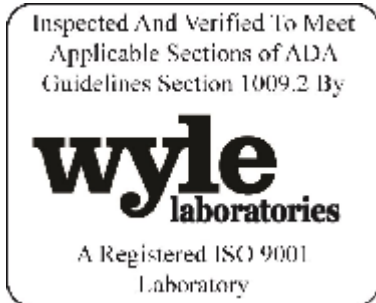
PATRIOT-AT1 LIFT

U.S. PATENT NO'S: [7,249,386 B2] [D507,769 S]

MEASUREMENT TAKEN WITH THE LIFT AT FULL LOAD



PRODUCT WEIGHT: 275lbs [124kg]
 MAX WEIGHT CAPACITY: 375lbs [170kg]
 **MIN SETBACK: 9"
 **MAX SETBACK: 14"
 *MAX WATER DRAFT: *12"
 ADA COMPLIANCE: THIRD PARTY VERIFIED
 BY WYLE LABS
 STOWED WIDTH: 35 1/4" (W/O FOOTREST)



9889 GARRYMORE LANE
 MISSOULA, MT 59808
 (406) 549-0769
 FAX (406) 549-2602

NOTE:
 *SPECIFICATIONS ARE SUBJECT TO CHANGE WITHOUT NOTICE

PRODUCT:		PATRIOT-AT1	
PART #:		F-12PPL-HD-AT1	
SCALE:	1:24	DATE:	1/18/2018
DRAWN BY:	KR	REVISION:	A